



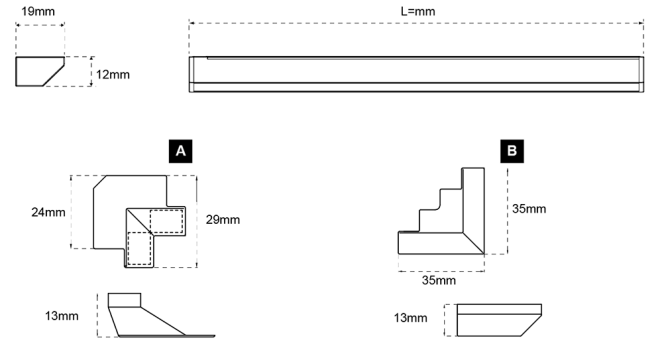
NUBIO PROFILE

SURFACE MOUNTING

Nubio is a modular plastic profile designed for courtesy lighting of plinths and under-tops, compatible with Strip Reels. Small in size, it can be easily applied with double-sided adhesive tape (included): the corner profiles allow you to follow the perimeter of the kitchen, the length of the linear segments can be customized, on request, up to a maximum of 3 m.



NUBIO PROFILE



Finish

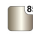
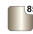
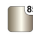
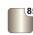


Nickel



- can be cut
- with bi-adhesive tape for fixing
- kit with end caps, inner and outer corner elements sold separately

NUBIO PROFILE

19700208500		Profile + Diffuser	L 3000mm
13201358500		Outer corner element	B
13201368500		Inner corner element	A
12418688500		Kit with 2 end caps	